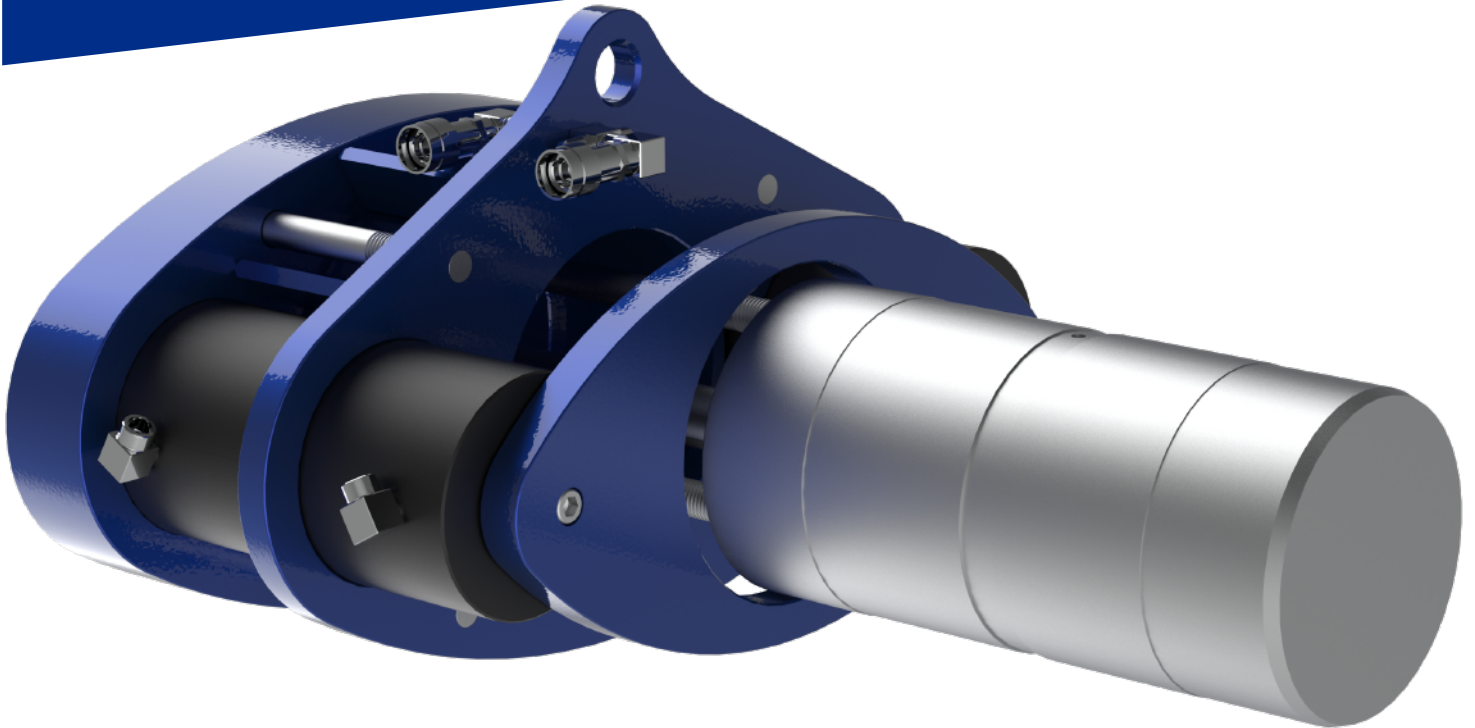


Multi-Use Pin Puller

CAT 7495



Machine

| Rope Shovel

Machine Make & Model

| CAT 7495

Related Products

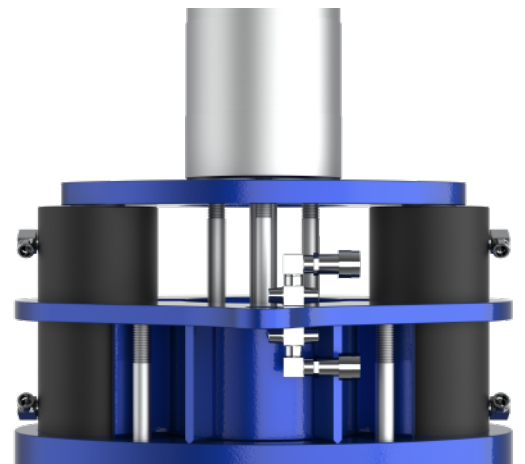
- | Hoist Pedestal Pin Puller
- | Slider Handling Tools
- | Lube Boom
- | Shovel Roller Tool

Simplify your pin removal process with our compact and versatile Multi-Use Pin Puller.

This puller has a versatile backplate to pull pins for:

- | Hoist Pedestal Pin
- | Gantry pin
- | Stick Pin

Pull up to 9" diameter pins and beyond 22" length with an easy-to-install extension.



Multi-Use Pin Puller

CAT 7495

Features

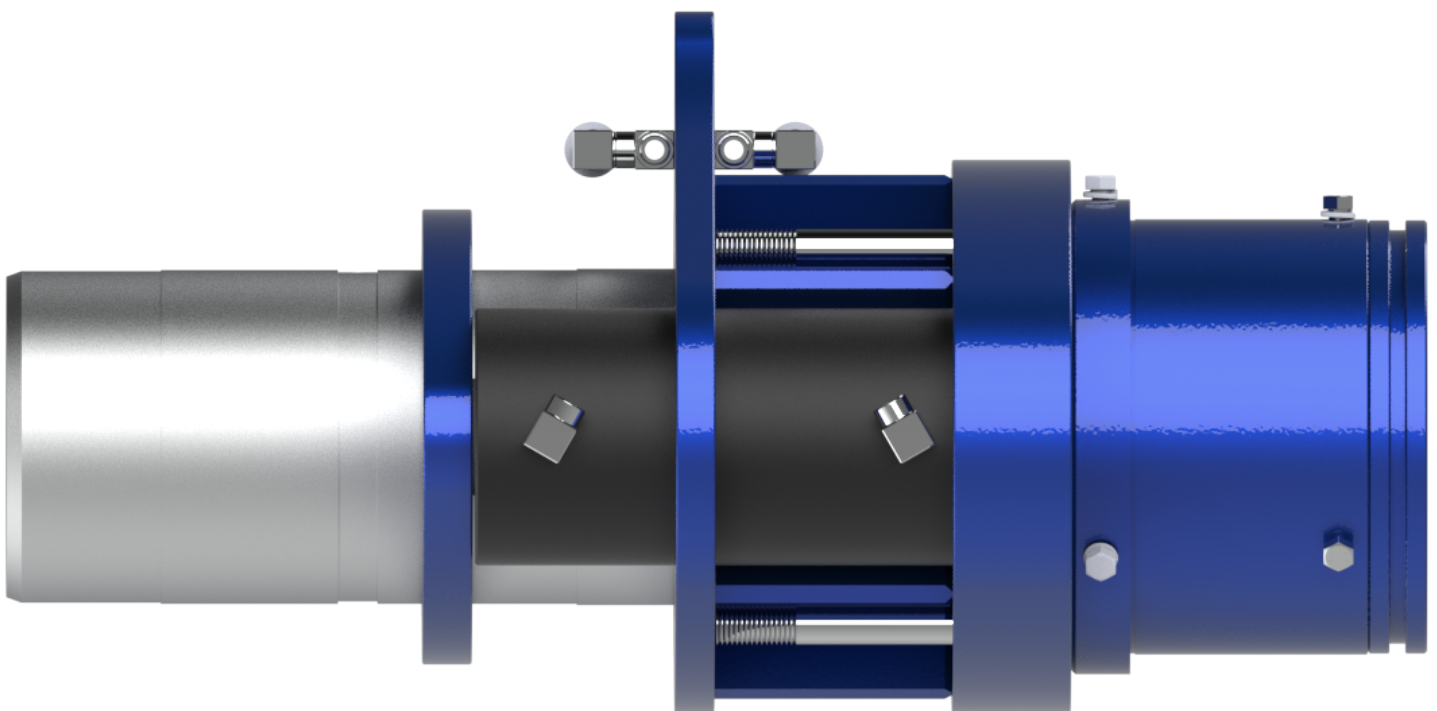
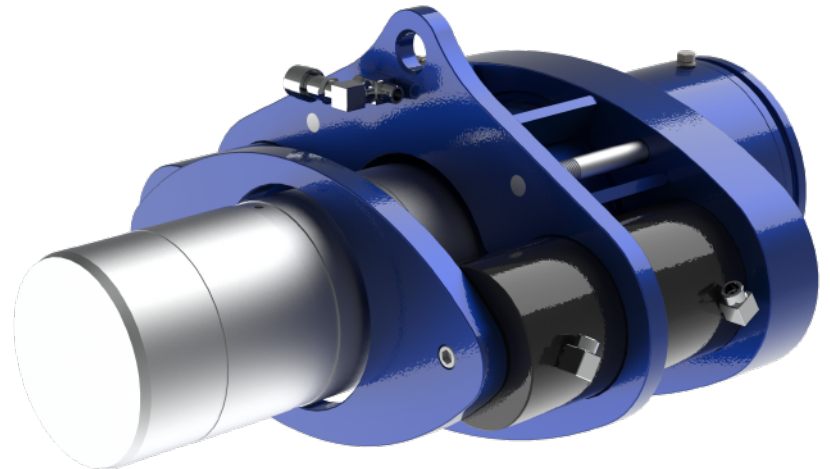
Designed to work for removing the CAT 7495 pedestal pin, gantry pin, and stick pin.

Easily changeable back plate to accommodate bolt patterns of pins as needed.

Back plate is designed to rotate to align with bolt pattern on pin.

Two 100 ton cylinders at max 10,000 psi, with a 200 mm stroke (7.87").

Optional: Extension tube can be added between the back plate and the base plate for removing pins longer than 22 inches.

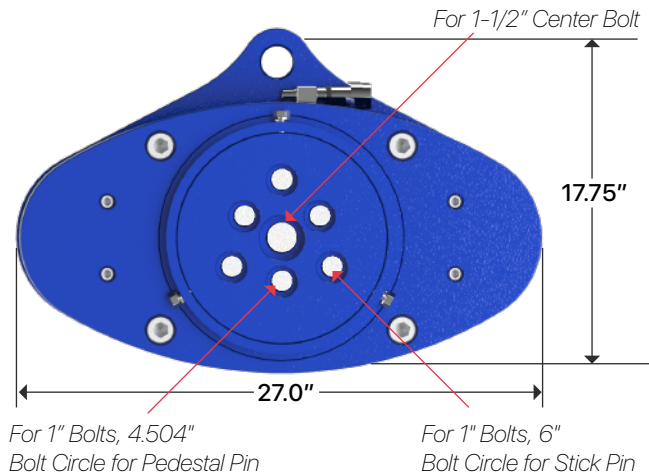


Pin Puller With an Extension Tube

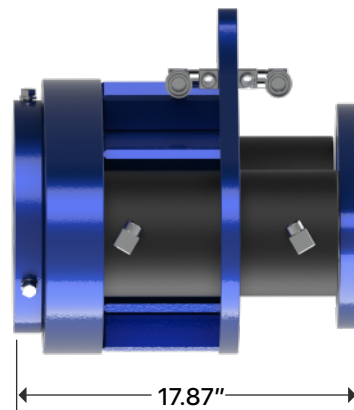
Dimensions

Multi-Use Pin Puller

Back Plate Bolt Pattern

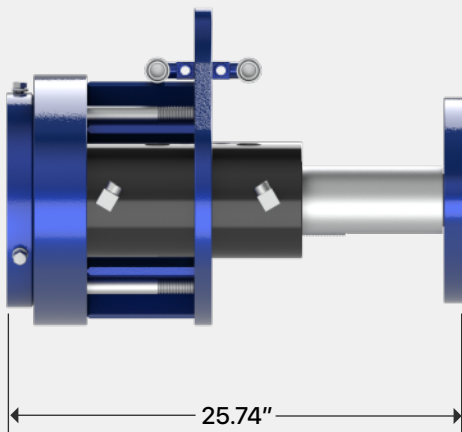


Cylinders Retracted



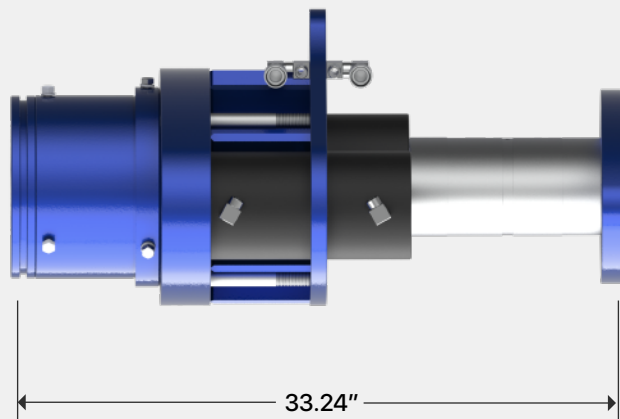
**Back plate bolt pattern can be made to match each pin as desired by the customer.*

Cylinders Extended



1. Cylinder Stroke is 7.87"
2. Extension Tube adds 7.5" length

Cylinders Extended with Extension Tube



Max Pin Diameter: 9"
 Max Pin Length without Extension: 22.5"
 Max Pin Length with Extension: 30"